



ROPOX QUICKWASH COMPLETE




User manual

This manual should always be in close proximity of the product.



Table of content


1. Symbols used in this manual	3
2. General safety	3
2.1 Product Unit label	5
3. General requirements	5
3.1 Product information	5
3.2 Product description	6
3.3 Intended use.....	6
3.4 Intended operator	6
3.5 Essential performance	6
3.6 Non-clinical functions	6
3.8 Clinical functions	6
3.9 Product dimensions.....	7
.....	9
4. Instructions for use	9
4.1 Installation Interfaces	9
4.1.1 Construction	9
4.1.2 Plumbing.....	9
4.2 Mounting Instructions.....	10
4.2.1 Determine mounting height	10
4.2.2 Drill holes and mount unit on wall.....	11
4.2.3 Mount wash basin to unit.....	11
4.2.4 Attach plumbing and faucet.....	12
4.2.5 Attach cover plate.....	13
4.2.6 Final test of completed unit	13
4.3 Operating the product.....	14
Height adjustment.....	14
4.4 Residual risk	15
5. Cleaning	16
6. Maintenance	16
6.1 Periodic maintenance	16
7. Components part list	17
8. Environmental protection	18
9. Accident reporting	18

1. Symbols used in this manual

<p>Warning Symbol</p> <p>Indication of potentially hazardous situation. If not avoided it can result in serious injury or death.</p>	
<p>Caution Symbol</p> <p>Indication of potentially hazardous situation which may result in minor or moderate injury. It may also be used to alert against unsafe practices.</p>	
<p>Notification Symbol</p> <p>This symbol is used to notify correct use and handling of the product.</p>	

2. General safety

	<p>This manual must be read and understood before use. Always keep this manual in close proximity of the product.</p> <p>The use, installation and service of this product must be in compliance with this manual to avoid accidents and serious personal injury.</p> <p>Never use or handle this product in other ways specified in this manual as it can result in personal safety hazards and/or cause damage to the product.</p> <p>Persons installing and/or using this product either as operator or user should have the necessary safety information and access to this manual.</p>
	<p>Do not perform repairs, disassembly or assembly operations, add-ons, re-adjustments or modification of the product beyond what is described in this manual. These must be carried out by Ropox or Ropox authorized personnel. Do not perform service while in use.</p>

	<p>This appliance can be used by children aged from 8 years and above and persons with reduced physical, sensory or mental capabilities or lack of experience and knowledge if they have been given supervision or instruction concerning use of the appliance in a safe way and understand the hazards involved. Children shall not play with the appliance. Cleaning and user maintenance shall not be made by children without supervision.</p> <p>Do not use the product if it has defects or have become damaged before being repaired or replaced.</p>
	<p>The information in this manual is based on correct installation in accordance with installation instructions for this product.</p> <p>Ropox cannot be held liable if the product is used in any way that differs from stated in this manual and/or installation instruction.</p> <p>Ropox reserve the right to amend this manual and reference documents without prior notice.</p>

2.1 Product Unit label



	This product is CE-marked in accordance with: European Medical Device Regulation (EU)2017/745
	Manufacturer name and address
	Date of production
	Stock number
	Serial number
	Consult manual before use
	Consult manual for important safety related information, warnings and safety precautions.
	Do not dispose as unsorted municipal waste. Product must be returned to a designated recycling station.
	Operating and storing temperatures may not exceed 5-40°C

3. General requirements

3.1 Product information

Manufacturer:	Ropox A/S Ringstedgade 221, DK-4700 Naestved +45 55 75 05 00 Email: Info@ropox.com			
Product models	Part number	Model	Configuration	UDI
	40-42121-1	QuickWash Complete	Release lever on left-hand side	57075810014R6
Expected service life according to ISO 17966:2016	5 years			

MDR Class 2017/745	Class I
Intended environments	This product is to be used only in: Professional Healthcare Environment Homecare Environment
Maximum user weight according to ISO 17966	150 kg
Height adjustment	140 mm up/down, 100 mm in/out
Ambient temperature	5-40C° Operation and storage

3.2 Product description

Ropox QuickWash is a small height adjustable system for a washbasin. It can be height adjusted 14 cm, while also projecting the attached washbasin 20cm out from the wall for added legroom.

3.3 Intended use

Ropox QuickWash is intended for use in both homecare and professional healthcare environments. Adjusting the height and depth of the wash basin, accommodates ergonomical requirements, stemming from the difference in height between seated wheelchair users and standing users. Ropox QuickWash is not intended for playing with or as an exercise-equipment.

3.4 Intended operator

The intended operator may include all that have read and understood this manual exempt kids.

3.5 Essential performance

The device does not have any function related to basic safety or essential performance. In case of loss or degradation of performance, the user can still wash their hands or chose not to.

3.6 Non-clinical functions

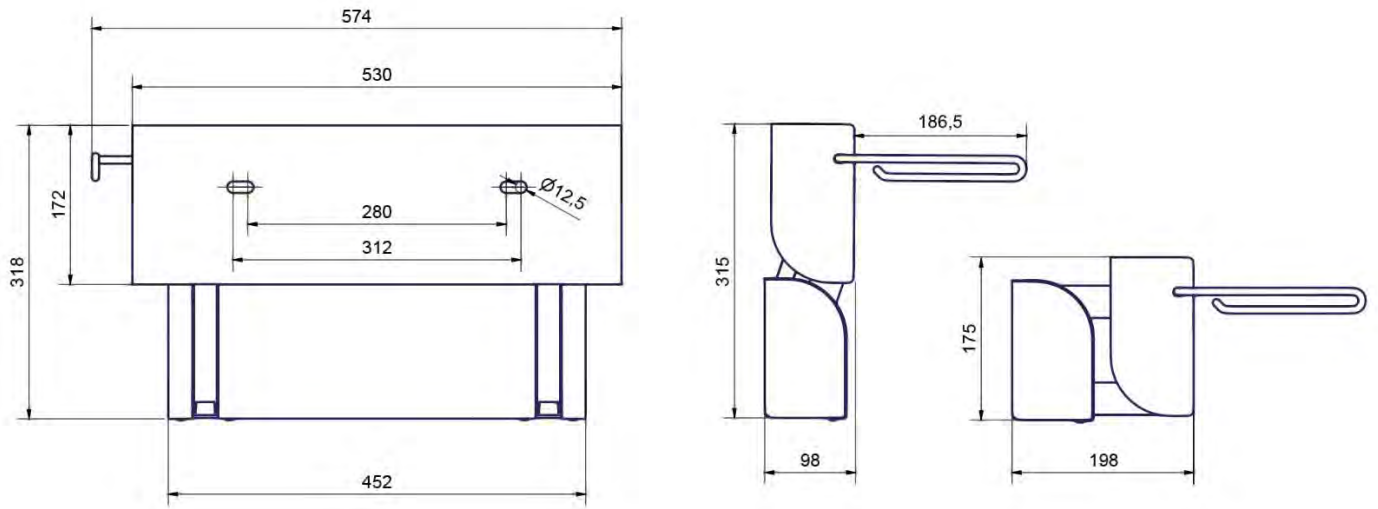
Height adjusting offers better ergonomics to the user.

3.8 Clinical functions

This product does not offer clinical benefit for patients, when used as intended by the manufacturer.

3.9 Product dimensions

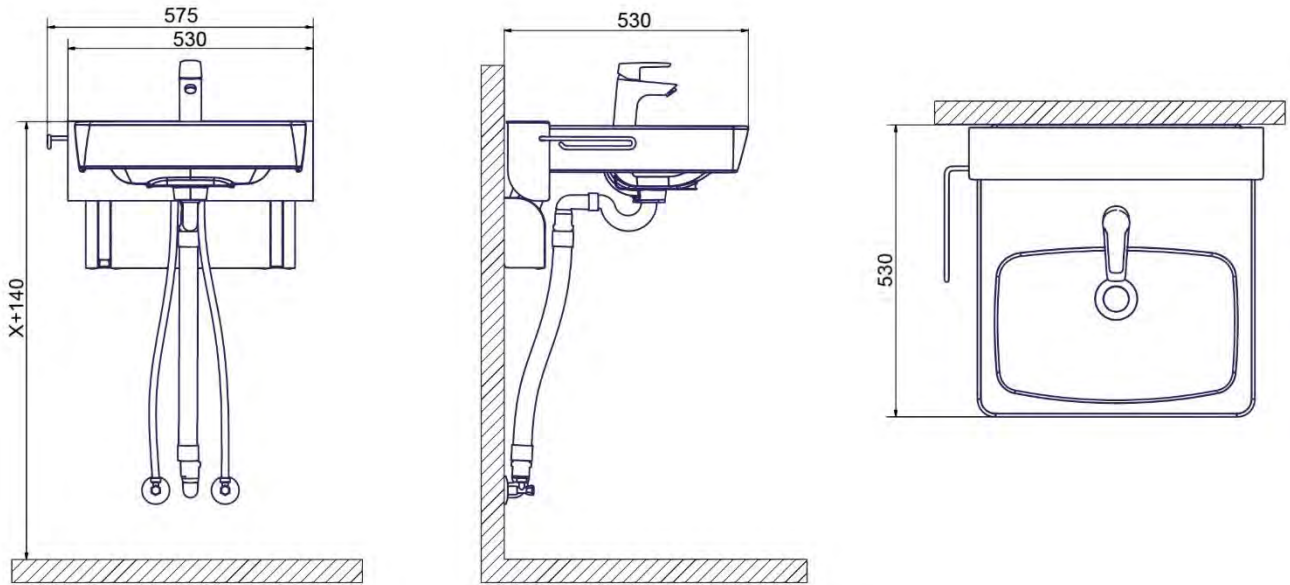
40-42120 – QuickWash Unit



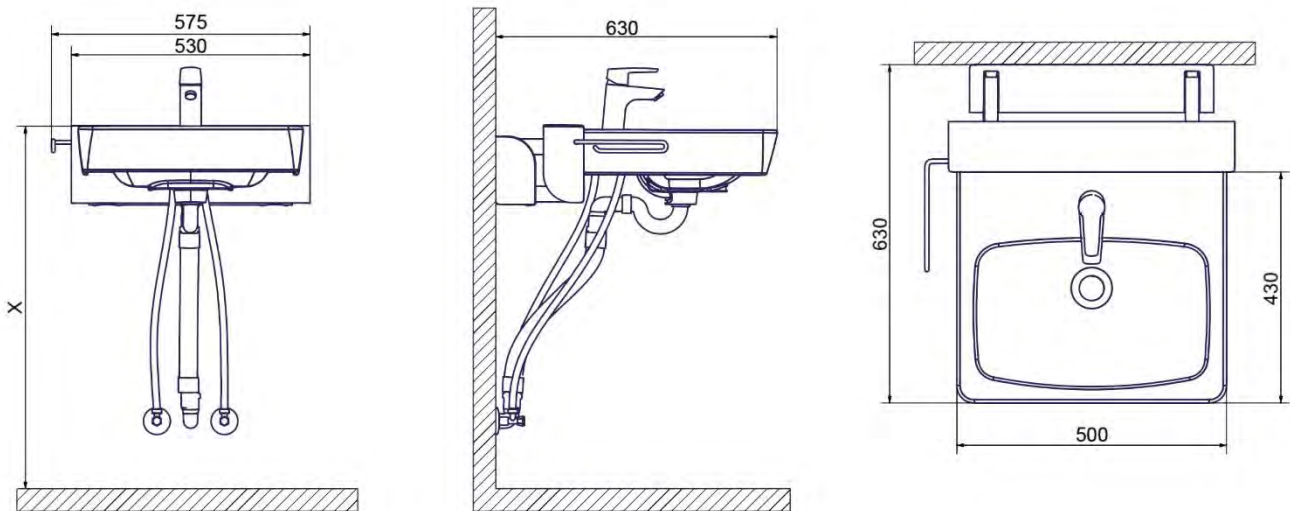
NB: All dimensions are in mm

40-42121 – QuickWash Complete

Up position




Down position



NB: All dimensions are in mm

“X” measurement is based on an individual measurement of the specific wheelchair-seated end-user of the product. See mounting instructions for more details.

	<p>Notification!</p> <p>Mirror must be mounted, so it sits above the sink when the sink is in the "up" position.</p>
---	---

4. Instructions for use

4.1 Installation Interfaces

4.1.1 Construction

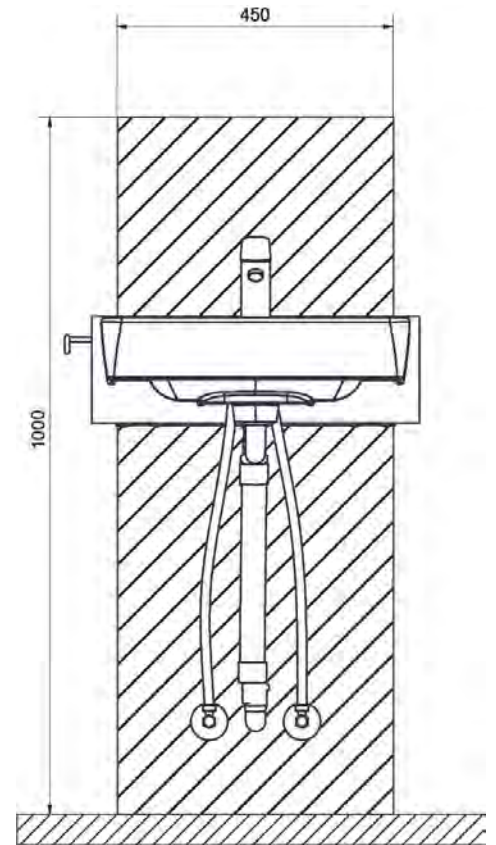
The wall must be of a suitable material for screws and approved for wet rooms. Note the maximum tensile load of the top screws and ensure that both the structure of the wall and choice of rawl plugs can withstand the force.

The grey-shaded area states the minimum area for reinforcement of the wall.

Load tested in accordance with DS/ISO 17966:2016

max. user weight: 150kg

Max. tensile load of top screws: 76 kg (745N)



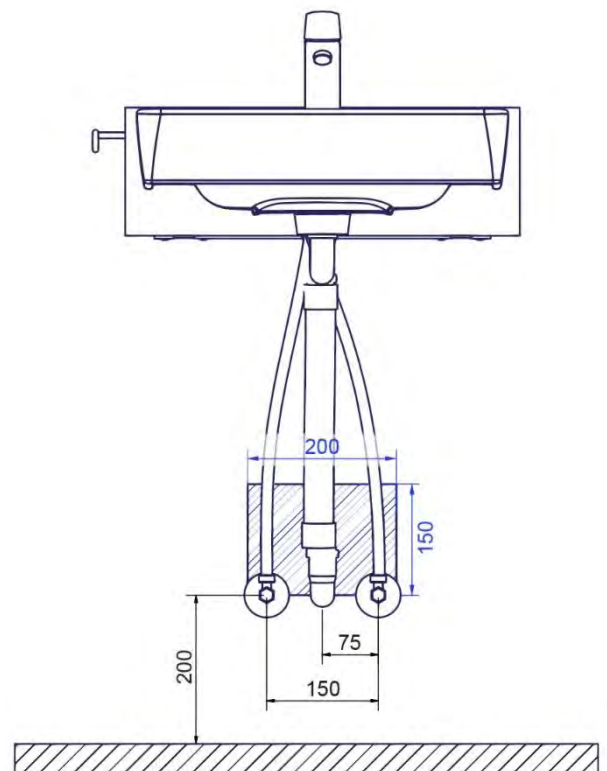
4.1.2 Plumbing

The drain is $\text{Ø}32$ (1 1/4").

The water supply ends with 2 (two) 90° stop valves with 1/2" outside thread pointing upward.

NOTE:

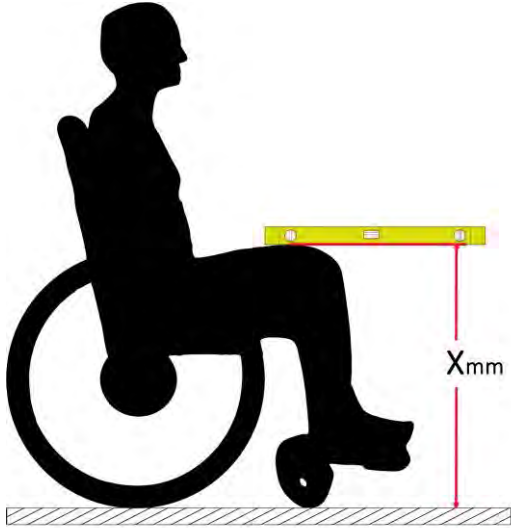
All dimensions are based on a washbasin height referenced off the individual user's measurements. Those measurements are based on the height from the floor to the top of the user's legs, when seated in their wheelchair. If a drastic change of this height is required, the recommended dimensions must be changed accordingly.



4.2 Mounting Instructions

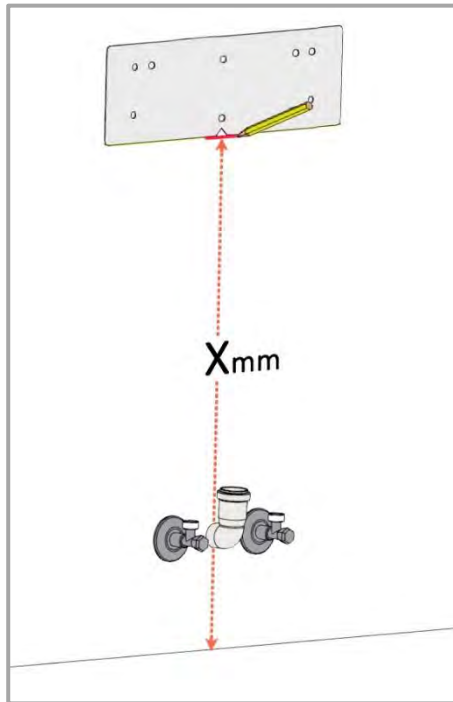
Prior to the installation, please make sure that all parts have been provided in accordance with the list of components (Section 7).

4.2.1 Determine mounting height



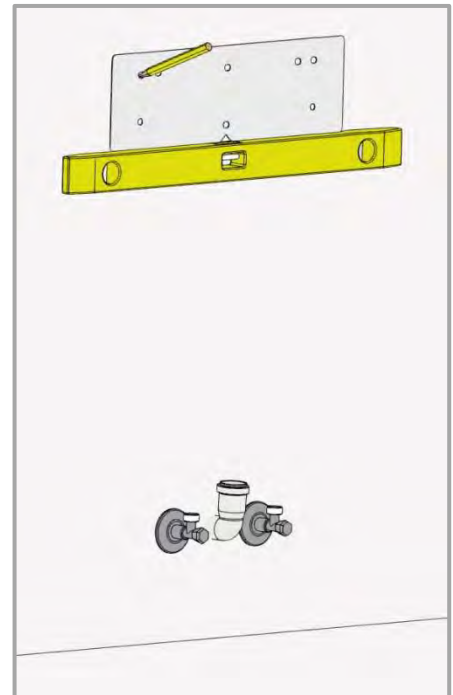
A) With the primary user seated in their wheelchair, measure the height to the top of user's legs (X). This measurement ensures the correct height of the unit and provides proper clearance when the unit is in the down position. Make sure to measure at the highest point (If the wheelchair has armrests, consider if these will be in the way and if the height of the unit should instead be set according to the armrests.)

If the user is not available for taking the measurement, the recommended default value of X is 670 mm (26,5").

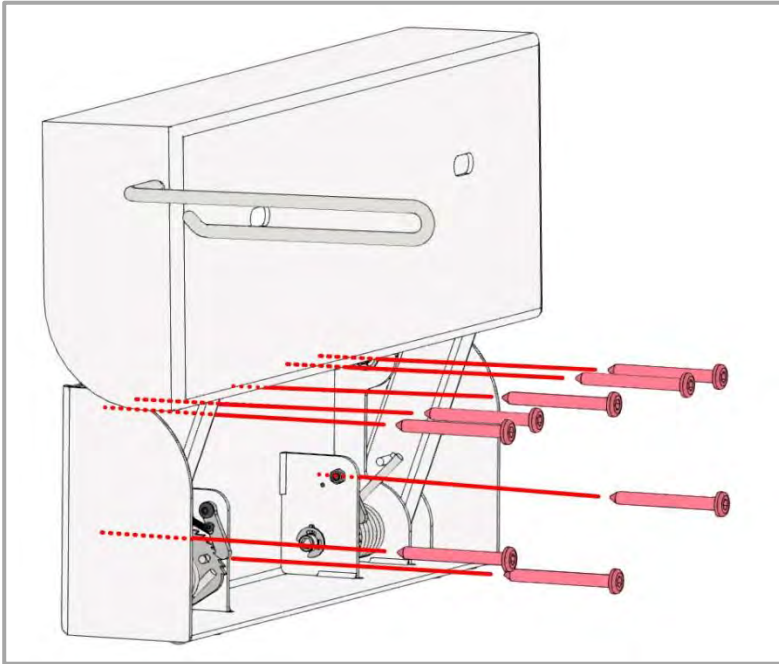


A) Transfer X-measurement to wall

B) Cut or fold the dotted line of the template and line up the bottom of the template with the reference line. Mark out the positions of the mounting holes. This will provide approximately 10-15mm of clearance between the bottom of the wash basin and the top of the user's legs.

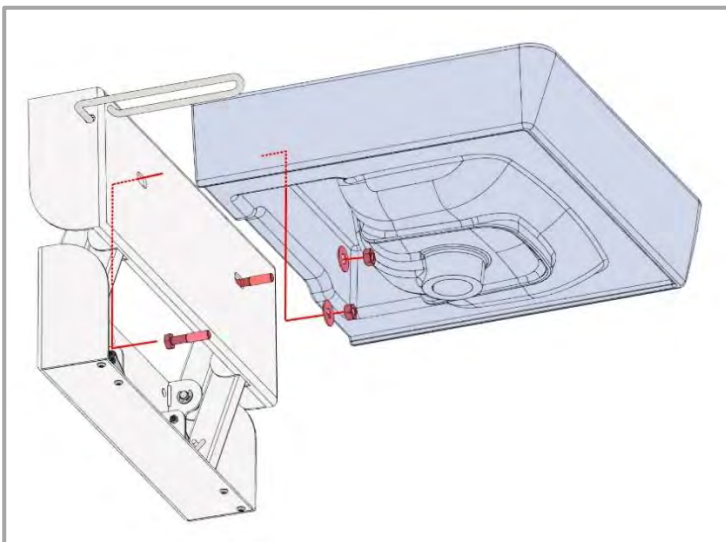


4.2.2 Drill holes and mount unit on wall



- A) Drill holes at the 8 marked locations on the wall
- A) B) Insert appropriate wall plugs fitting of the type of wall in which the product is to be installed
- B) C) Mount the QuickWash unit on the wall using the included frame screws *7,5x75mm
- C) D) Check that the unit is level
- D) E) Tighten the screws where needed

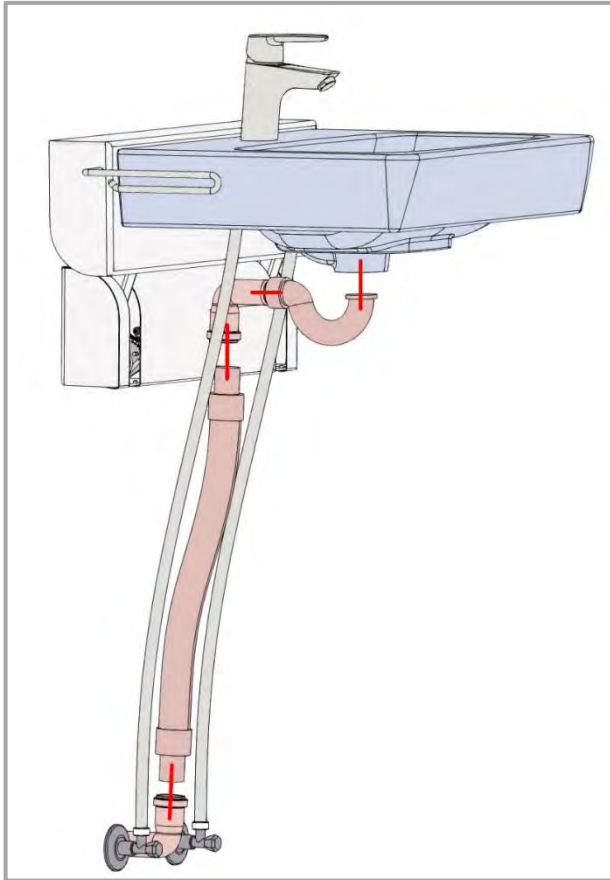
4.2.3 Mount wash basin to unit



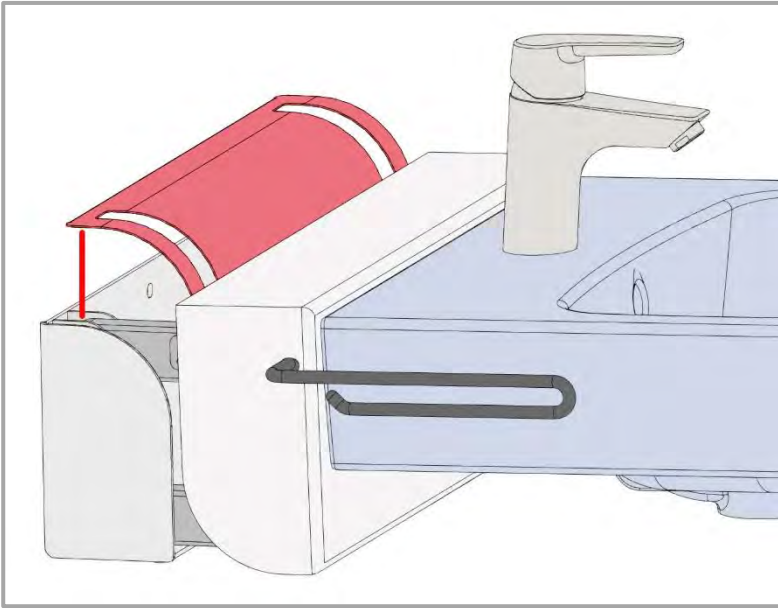
- A) Attach bolts from the backside of the unit and fix using the included mounting kit.
- B) Ensure that the plastic washers are placed between the porcelain and metal nut
- C) After mounting the wash basin, please check the following:
 - 1: That the basin is level
 - 2: That the basin is centered compared to the unit
 - 3: That the release lever works and allows lowering of the unit
 - 4: That the unit stays in place in both top and bottom position

5: That the bottom position fits well for the user, with comfortable level of clearance.

4.2.4 Attach plumbing and faucet

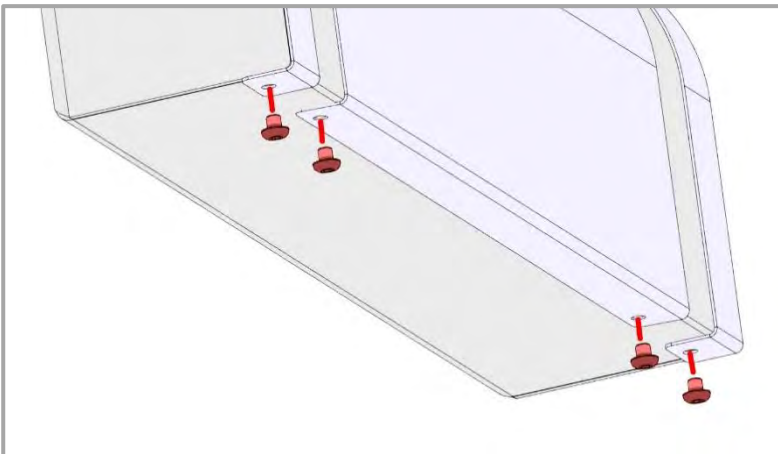


4.2.5 Attach cover plate



A) Lower the unit to the down position by releasing the grey lever/arm on the side of the unit

B) Slide cover on from above. Take care not to bend the “fingers” on the sides



A) Position the bottom tabs of the cover beneath the wall-bracket and fix in place with the 4 dome-headed M5 screws

B) Check that the unit moves freely up and down and does not interfere with the cover

4.2.6 Final test of completed unit

Everything should now be installed. Please follow the checklist below to make sure that everything is working as expected.

- 1) Test that the unit feels sturdy and secure on the wall
- 2) Check that the unit moves smoothly and unobstructed in its full range of movement, both up and down
- 3) Check that the unit fits the end user and is comfortable to use when in the lowest position (that the bottom of the sink does not severely interfere with the user's legs or knees)
- 4) Check that the locking pin clicks in place when unit is in the up position and that the wash basin feels securely locked
- 5) Check that the faucet works and the water drains as it should
- 6) Check that the flexible plumbing is neat and moves unobstructed when moving the unit up and down

4.3 Operating the product

Height adjustment

The washbasin position is adjusted manually. A counterbalance system makes it easy to lift and lower the wash basin.

Lowering from high to low position



(1) Press the grey release lever on the left-hand side of the unit towards the wash basin

(2) While holding down the release lever, pull the basin downwards until it reaches the end of travel.

Adjusting from low to high position


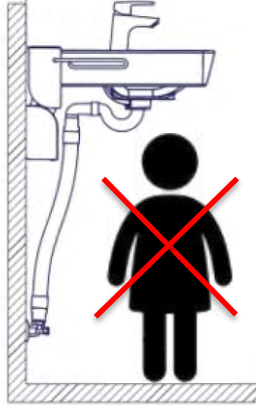

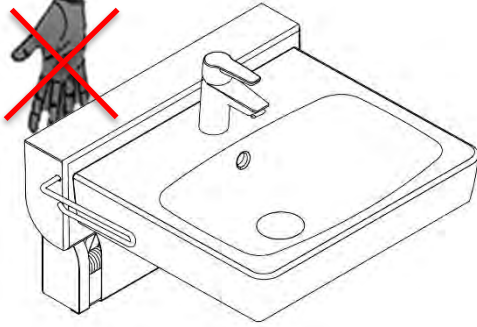

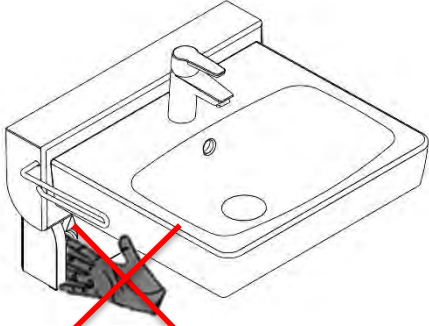




Simply push or raise the basin until you hear the locking pin clicking in place.



Warning!


The product should always be able to travel the full range of movement without colliding with objects. Failing to do so will compromise the product stability. Special care should be taken in ensuring that no children or adults are sited under the product as severe injury from entrapment may occur.

4.4 Residual risk

<p>Warning</p>  <p>Be aware that there are no persons under the wash basin when it is driven down, as a danger of impact and head trauma may occur.</p>	
<p>Caution</p>  <p>Do not place the hand between the wall and the unit during unit movement, as a danger clamping may occur.</p>	
<p>Caution</p>  <p>Do not place the hand in the slits of the cover, as a danger clamping may occur.</p>	
<p>Warning</p>  <p>In case of incorrect installation of plumbing parts, water leaks can occur on the floor, which may increase the risk of falling.</p>	
<p>Warning</p>  <p>Make sure no water is in the basin during movement. Water may otherwise splash onto floor, which may increase the risk of falling.</p>	

5. Cleaning


Cleaning can be done with lukewarm water and a suitable all-purpose cleaning agent. Use a cloth or soft sponge to wash the product. Dry the product of with a wrung cloth.

	<p>Notification! Do not use cleaning agents containing abrasive e.g. scouring powder, steel wool, scouring sponge.</p> <p>This product is not designed to be sterilized. Autoclaving and sterilization beyond normal cleaning as this may possibly change the product safety and function.</p>
---	---

Preapproved cleaning agents

Tradename	Solution
Acticlor plus	1000ppm
S90 sanirens	1-3% peracid
FUTUR, Alkalisk rens	1% Solution [pH 9,5]

6. Maintenance

	<p>Notification! Failing to comply with periodic maintenance may result of degrading of product function and safety.</p>
---	---

6.1 Periodic maintenance

Component	Maintenance activity	Maintenance interval	Registration date of maintenance
Complete Unit	Check fixing to the wall are still tight and reliable. If unit has started to work itself lose, take action to get unit tightened and securely fixed to the wall again	Every 6 months	
Counter-balance springs	Check that the weight of the wash basin is still properly counterbalanced. If needed, remove the cover and use a hex wrench to tighten both springs until desired result	Every 6 months	
Shock absorbing pads	Check that the two rubber pads between	Every 6 months	

	<p>the bottom links and wall plate are intact and in place. If broken or missing, please order replacement rubber pads</p>		
--	--	--	--

7. Components part list

1 (one) height adjustment unit

40-42120



List of components for Complete models 40-42121

1 (one) washbasin

97001584



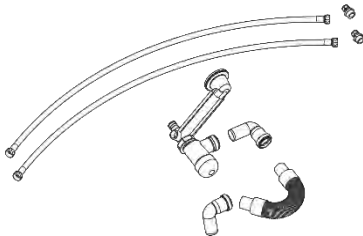
1 (one) mixer tap

Oras Saga 3910F




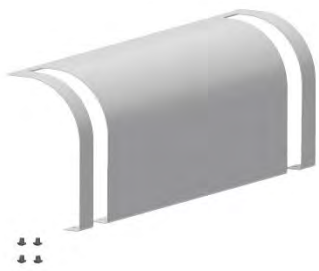
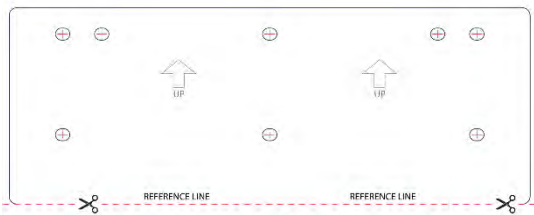
1 (one) plumbing kit


1 (one) Siphon
 1 (one) 97001172 Flexible drain hose $\varnothing 32$
 2 (two) 97001035 Drain elbow $88,5^\circ$
 2 (two) 97001133 Connecting hose $\frac{1}{2}$ "
 0.85m



1 (one) kit of mounting parts for bolt mounted washbasin



<p>1 (one) set of wall-plugs and frame screws</p> 	<p>1 (one) Cover plate incl. 4 (four) mounting screws</p> 
<p>1 (one) cardboard template for hole-marking</p> 	

	<p>Notification!</p> <p>Ropox will make parts list and circuit diagrams available for extraordinary maintenance and repair beyond what is described in this manual. Repair beyond what is described in this manual may only be done by Ropox designated service personnel.</p>
---	---

8. Environmental protection

The product is not intended to be disposed as municipal waste. Proper disassembly, sorting and disposal of components must be done by waste disposal professionals.



Part	Disposal recommendation
Wash Basin	Ceramic
Main Unit	Steel
Cover	Aluminum
Faucet	Steel

9. Accident reporting

TF 200.01.0010_ENG

The manufacturer of this product recommends any accident with this product that meets all of the following criteria reported to the appropriate authority as well as to the manufacturer.

1. *There has been or could have been an event*
2. *The medical device is considered to be a contributing factor to the case, and*
3. *The event resulted or could have resulted in one of the following outcomes:*
 - *death - a patient, a user or a third party death*
 - *A serious deterioration of a patient's health, a user's or third party health status in the form of:*
 - *1. Life-threatening disease*
 - *2. Lasting damage or injury*
 - *3. Necessary medical or surgical treatment to divert life-threatening illness, permanent injury*
 - *4. fatal death, fetal injury or congenital abnormalities.*

Vertrieb Deutschland:

Lunavis GmbH & Co. KG · Am Schützenplatz 12 · 21337 Lüneburg ·
tel: 04131 768360 · info@lunavis.de · www.lunavis.de

